

3-WAY PNEUMATIC VACUUM BALL VALVE

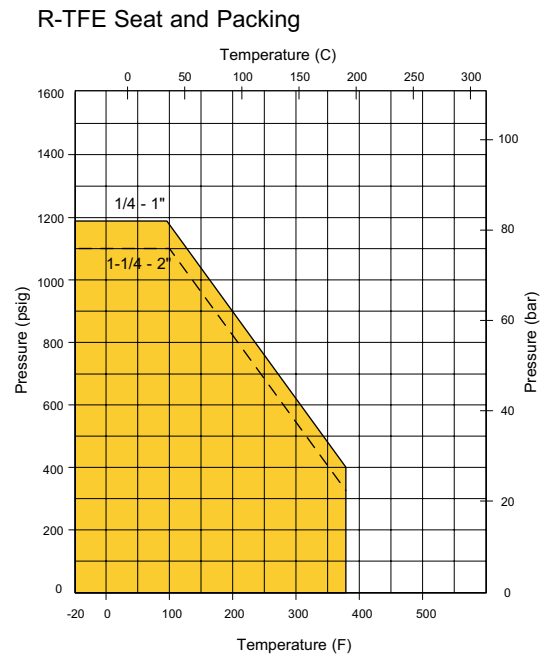
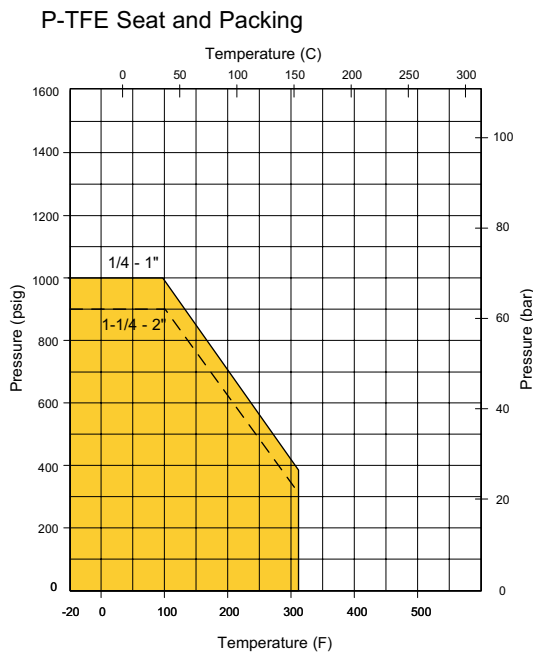
TYPE : AP3B
 SIZE : NW16 to NW50



Technical data

■ Series	AP3B-NW Series
■ Connection	ISO KF flanges
■ Pressure range	1 mbar to atmospheric pressure
■ Pressure resistance	PN30 (without flange tube)
■ Leakage rate	< 1.0E-7 mbar l/s
■ Housing material	Stainless steel
■ Material flange	Stainless steel
■ Material ball seat	P-TFE(standard) / R-TFE(option)
	Four seat design
■ Material drive packing	FKM / P-TFE(standard) / R-TFE(option)
■ Operating temperature	See the reference graph below
■ Visual position indicator	Position indicator
■ Options	- Other connections - Pneumatic and electric

Pressure - Temperature diagram (valve)



Folw-pattern

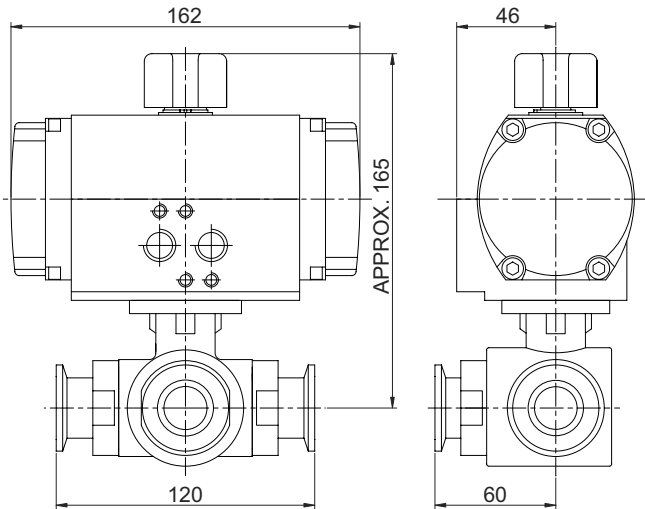
CW	T1	T2	T3	T4	L1
0					
90					

CCW	T5	T6	T7	T8
0				
90				

3-WAY PNEUMATIC VACUUM BALL VALVE

Dimensions (mm)

(for AP3B-NW25S4PT2L120-S65R-00-000)



Materials list

No.	Part name	Materials
1	Flange	CF8/CF8M/CF3M
2	Gasket	P-TFE/R-TFE
3	Body	CF8/CF8M/CF3M
4	Ball	SS304/SS316/SS316L
5	Seat	P-TFE/R-TFE
6	Stem	SS304
7	Thrust washer	R-TFE
8	O-ring	FKM
9	Stem packing	P-TFE/R-TFE
10	Gland	SS304
11	Disc washer	SS304
12	Stem nut	SS304
13	Nut stop	SS304
14	Bolt & washer	SS304
15	Actuator	Aluminum

Model selection

A P 3 B - N W 2 5 S 4 P T 2 L 1 1 0 - D 6 5 - L 2 - S 2 D

① ② ③ ④ ⑤ ⑥ ⑦ ⑧ ⑨ ⑩

①

AP2B - 2-WAY BALL VALVE
AP3B - 3-WAY BALL VALVE
AP3V - VERTIACL 3-WAY BALL VALVE

⑧

OPERATION
xxx - ACTUATOR MODEL No.
L - LEVER
B - BARE STEM

⑨

LIMIT SWITCH
L2 - MECHANICAL
L1 - PROXIMITY
00 - NONE

⑩

SOLENOID VALVE
S2D - 24VDC
S1A - 110VAC
S2A - 220VAC
000 - NONE

VALVE SPECIFICATION

②

VALVE SIZE
NW16 NW25
NW40 NW50

③

PORT
S - SEMI PORT
F - FULL PORT

④

BODY MATERIAL
4 - CF8
6 - CF8M
6L - CF3M

⑤

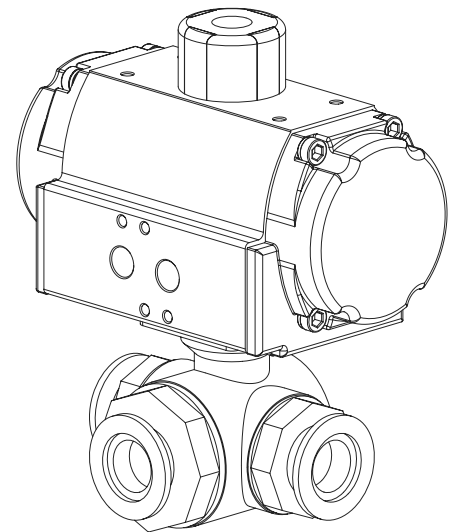
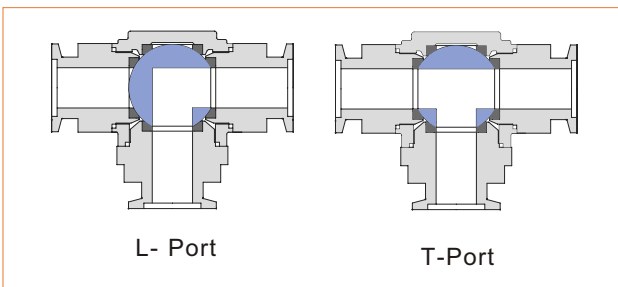
SEAT MATERIAL
P - PTFE
R - RTFE
O - OTHER

⑥

FLOW PATTERN
T1 ~ T8
L1, L2
00 - AP2B

⑦

FACE TO FACE DIM.
Lxxx
(ex. L110, L90..)



* Subject to changes in line with technological advances and data variations.

No.08A0901